

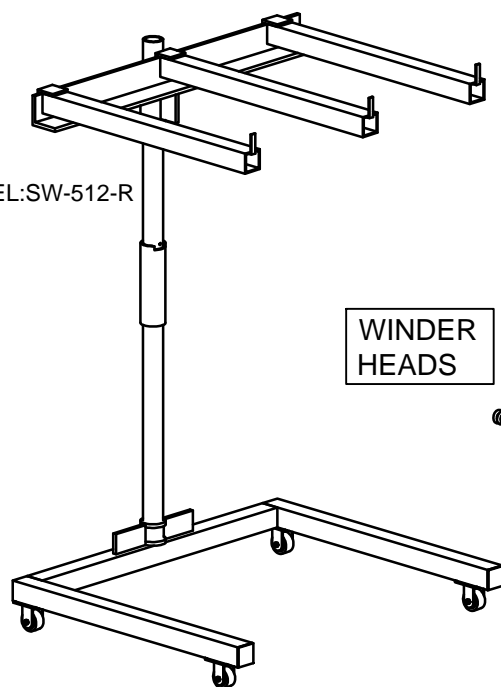
ONE IDEAL COIL WINDING WORK STATION!!

CAN BE USED WITH:

- ANY WINDING MACHINE, MANUAL OR AUTOMATIC.
- ANY WINDING HEADS OR FORMS.
- CONTINUITY PHASE LAP.
- CONCENTRIC CONNECTED OR INDIVIDUAL GROUPS LAP.

LAYCOCK -S/W- CROWN WINDING EQUIPMENT

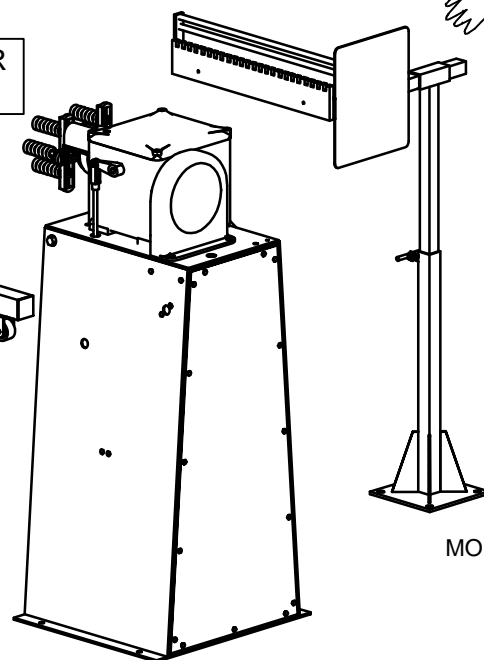
THREE PHASE COIL RACKS



WIRE GUIDE

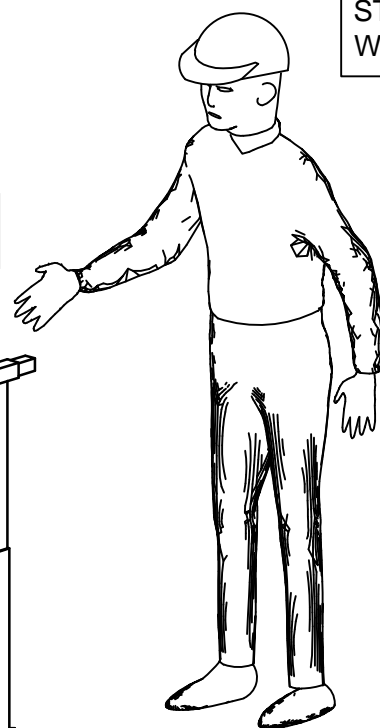
WIND COILS TO 400 RPM
NEVER MISS SLOT

WINDER HEADS



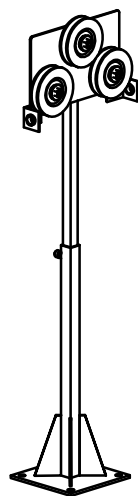
COIL WINDING MACHINE

MODEL 2001



WIRE STRAIGHTENER

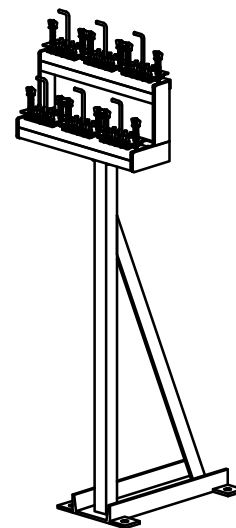
STRAIGHT COILS WITHOUT CROSSES



MODEL:SW-301-WS

TENSION DEVICE WITH 36 WIRES

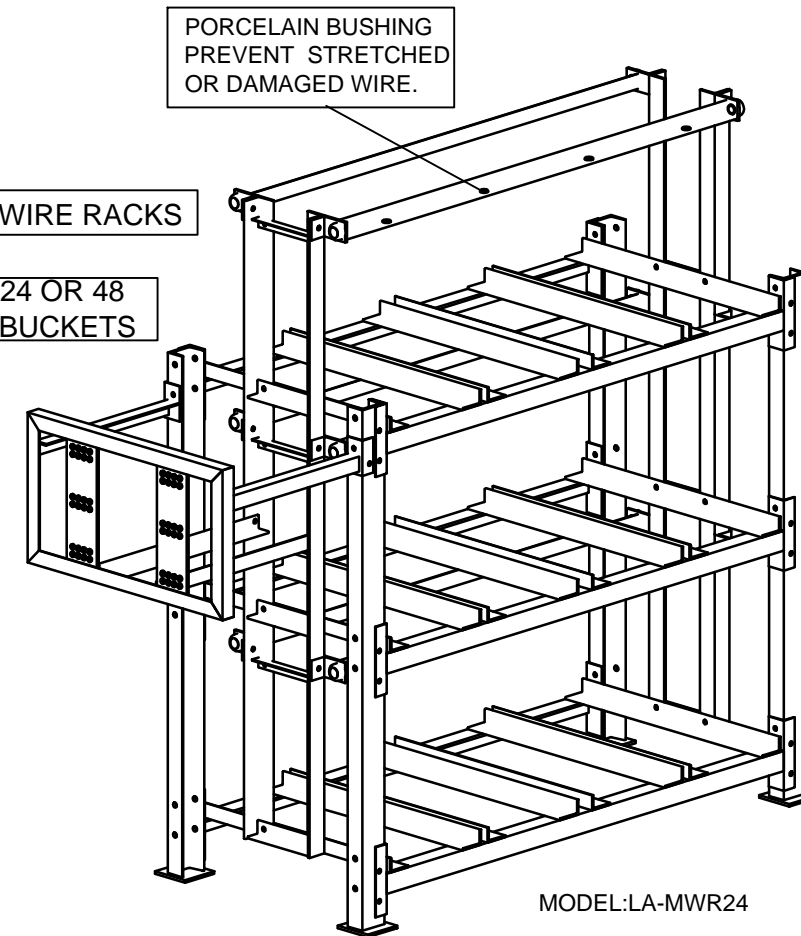
AT FINGER TIPS PROPER TENSION ON EACH WIRE



MODEL:SW-300-T

MAGNET WIRE RACKS

24 OR 48 BUCKETS



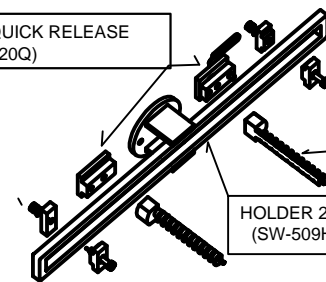
MODEL:LA-MWR24

AND MORE!!
VISIT: www.laycocksystems.com

S&W QUICK RELEASE (SW-520Q)

S&W HEADS

HOLDER 23.75" OVERALL LENGTH (SW-509H)



3-PHASE GROUP WINDING HEAD (NO. 2106)

